

GEABloc – Fully Welded Plate Heat Exchangers

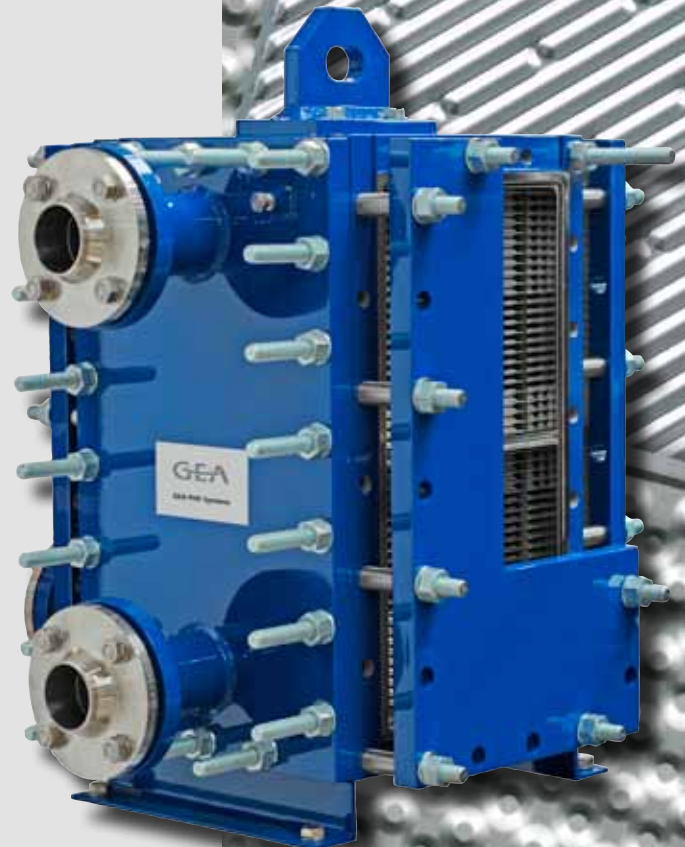
Easy to open – quick to clean

GEABloc is a fully welded plate heat exchanger, available with two different types of plates (chevron, dimple). The special dimple plate pattern allows best cleaning possibilities.

The frame consists of four columns, a top and bottom plate together with four side panels with the connections. All frame components are bolted together and the panels can be easily dismantled to clean and inspect the plate package.

The GEABloc works at temperatures up to 288°C and pressures up to 32 bar. Its principle uses are the oil/gas industry, the petrochemical and chemical industry, the motor industry and also the pulp and paper industry.

- Fully welded plate package
- Chevron & dimple plate pattern
- Accessible on both media sides
- Perfect cleaning possibility
- Small foot print



GEABloc size range and materials

Model No.	Surface / Plate		Length x Width		Maximum Unit Height		Connection Sizes		Max. number of plates
	m ²	ft ²	mm	inches	mm	inches	DN	inches	
BT 20	0.061	0.657	200 x 200	8 x 8	818	32"	50-150	2"-6"	100
BT 30	0.108	1.162	300 x 300	12 x 12	1410	56"	50-250	2"-10"	200
BT 40	0.145	1.556	400 x 400	16 x 16	1803	71"	50-300	2"-12"	250
BT 50	0.270	2.906	500 x 500	20 x 20	2092	82"	50-350	2"-14"	300
BT 75	0.639	6.878	750 x 750	30 x 30	3386	133"	50-600	2"-24"	500

Plate materials

- AISI 304L
- 316L
- SMO 254
- alloy C22
- nickel
- titanium

Frame materials

- AISI 516 Gr 60/70 with or without lining

Liner materials

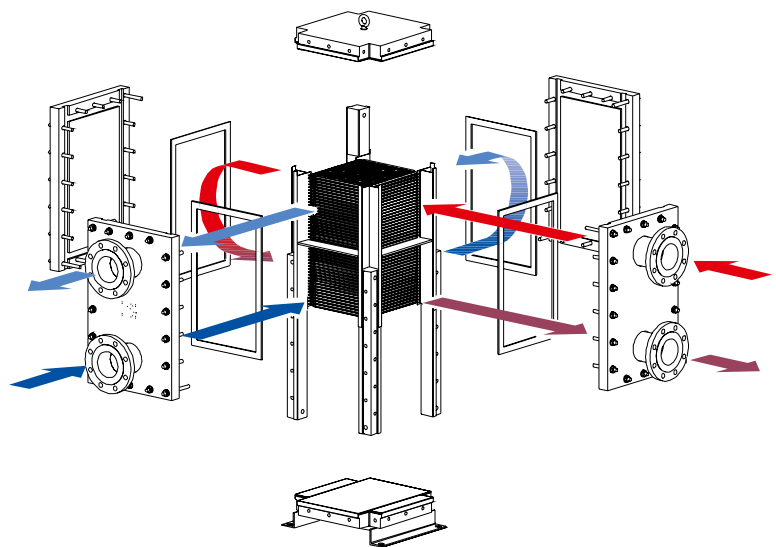
- stainless steel or alloys

All media-contacting components are made from high-grade alloys or materials. The bolted frame provides easy access for maintenance and cleaning.

GEABloc facts

Temperature: -20 to +55°F/-28 to +288°C

Pressure Ratings: 100, 150, 250, 350, 450 psi/6, 10, 16, 25, 32 bar



GEA PHE Systems – Competence in Heat Transfer

With emphasis on the highest quality standards and constant innovations, GEA PHE Systems continues to expand its market position: Within the GEA Process Equipment Division, GEA Ecoflex together with GEA ViEX, GEA WTT, GEA Ecobraze, GEA PHE Systems NA and GEA EcoServe forms GEA PHE Systems, the Center of Competence and Service Center for gasketed, fully welded and brazed plate heat exchangers of GEA Group:

- HVAC
- Refrigeration
- Sugar
- Chemical
- Paper
- Food
- Power
- Marine
- General Industry
- Renewable Energy

The specifications contained in this printing unit are intended only to serve the non-binding description of our products and services and are not subject to guarantee. Binding specifications, especially pertaining to performance data and suitability for specific operating purposes, are dependent upon the individual circumstances at the operation location and can, therefore, only be made in terms of precise requests.

Your contact:



GEA Ecoflex GmbH

Karl-Schiller-Straße 1-3 · 31157 Sarstedt · Germany
Phone +49 5066 601-0 · Fax +49 5066 601-104
info@gea-ecoflex.com · www.gea-phe.com

GEA PHE Systems NA

100 GEA Drive · York, PA 17402 · USA
Phone +01 717 268-6200 · Fax +01 717 268-6163
info@geaphena.com · www.gea-phe.com

GEA Ecoflex GmbH

Schifferstr. 20-22 · 47059 Duisburg · Germany
Phone +49 203 98420-0 · Fax +49 203 98420-198
info@gea-ecoflex.com · www.gea-ecoflex.com

GEA ViEX Inc.

1201 Nicholson Road · Newmarket, Ontario · L3Y 9C3 · Canada
Phone +1 905 954-1325 · Fax +1 905 954-1391
info@gea-viex.com · www.gea-phe.com