



ECOVENT® Valves

Compact Design, Reversible Actuator, 3A-conform

Made by GEA Tuchenhagen



Process Equipment

GEA Tuchenhagen

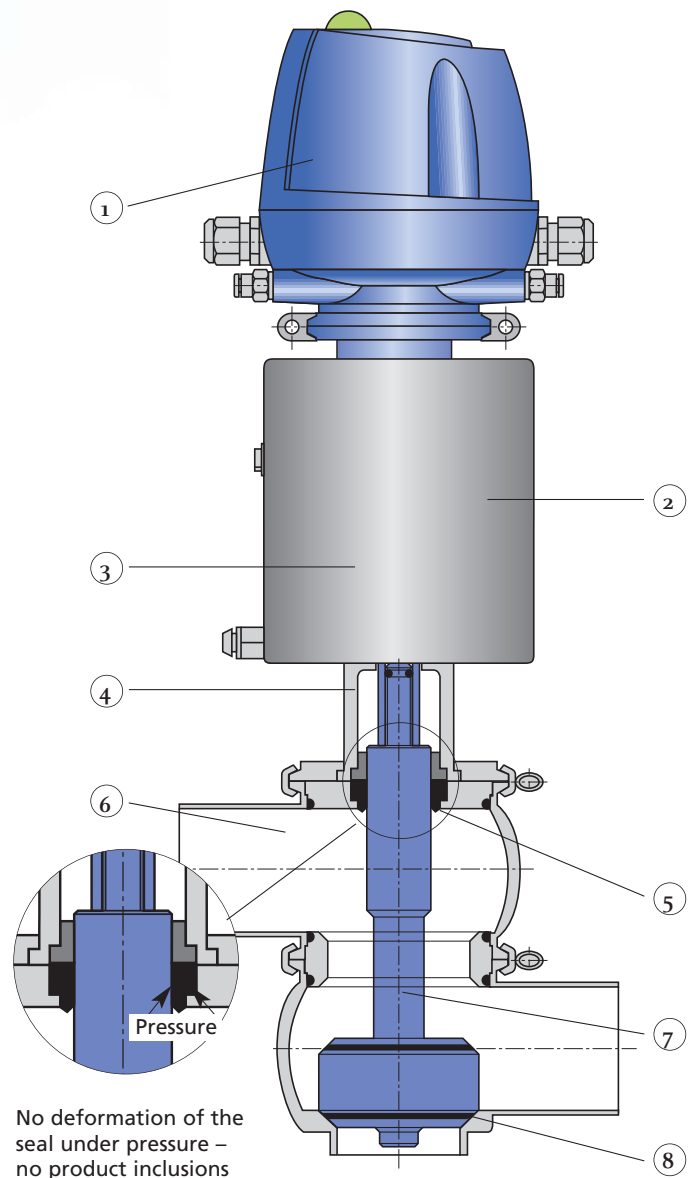
ECOVENT® Single Seat Valves ...



... represent a cost-effective alternative to our shut-off and shuttle valves for simple hygienic process applications. They form the next innovative generation of the proven ECOVENT® series. They stand out by reliable function, CIP/SIP-ability and low maintenance - the fundamental factors for achieving consistent product quality, high output rates and economical operating, maintenance and service costs.

Features of ECOVENT® valves

1. Electrical components in the control module are fully splash-water protected.
2. Sturdy and reversible actuator — spring-to-close/air-to-open or vice versa.
3. Air backup of the spring is possible.
4. ECOVENT® actuators with direct internal air supply from the control module.
5. Open lantern for visual inspection of the stem seal and the valve's switching position.
6. The machine rolled valve spindle finish provides for excellent wiping action as it passes through the seal, ensuring long life of the stem seal.
7. The ECOVENT® System has optimal cleaning characteristics — without domes and pools.
8. The valve disks are, as a matter of principle, manufactured in a single piece.
9. The valve disks are, as a matter of principle, manufactured in a single piece.
10. The metallic stop of the valve disk provides a defined deformation of the seal, ensuring long seal life.



ECOVENT® Single Seat Valves



Control and feedback systems

The valves can be equipped with the well-established Tuchenhausen control and feedback systems.



Proximity switch holder with two proximity switches



T.VIS® control system

Actuator

The spring-to-close / spring-to-open action is freely selectable by reversing the actuator.

Sight lantern

An open lantern as a separation between the actuator and the product section permits visual inspection of the valve stem seal and prevents temperature transfer from the pipe system to the actuator.

Housing connections

Clamp connections between the individual components facilitate rapid installation. Housing body connections with detachable clamp ferrules allow for unrestricted freedom of choice of the socket position.

- Optional: welded seat ring available without surcharge

ECOVENT® single seat valves reduce your costs!

The very favourably priced Tuchenhausen ECOVENT® single seat valves enable you to considerably reduce your plant investment costs!

As the ECOVENT® series is based on the VARIVENT® sealing philosophy, it also reduces your operating costs. The metallic stop of the valve disk ensures defined deformation of the seal, which provides a long service life of the seals.

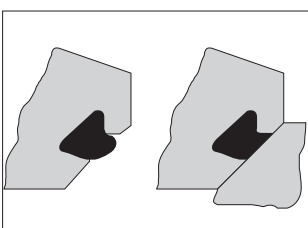
The combination of low investment costs and the potential to reduce operating costs in the long run clearly shows how ECOVENT® valves can help you to reduce your costs!



Welded seat ring



Clamp connection



Constant compression seal



Diffusion of stress in the seal

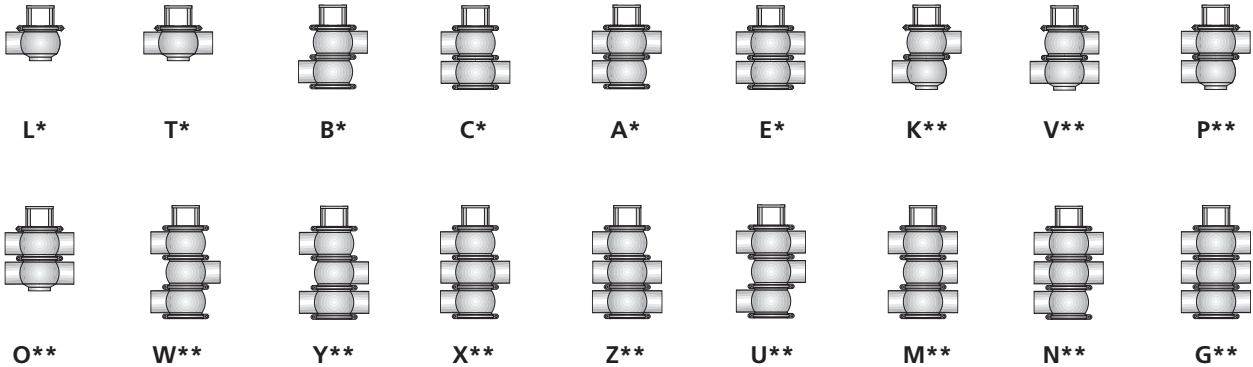
Advantages of ECOVENT® valves:

- Cost-effective single seat valves
- Reduces operating costs thanks to the long service life of the seals (metallic stop)
- Compact design, low overall height
- Flexible actuator design
- Can be combined with all proven Tuchenhausen feedback systems
- No product can creep behind the special-contour seal

ECOVENT® Single Seat Valves

Housing combinations for ECOVENT® Valves

The housing configuration of the VARIVENT® System is used and allows any conceivable housing combination.



* for valve type N only; ** for valve type W only

Technical Data and Materials

Materials

Product contact
housing

1.4404 (AISI 316 L)

interior parts

1.4404 (AISI 316 L)

No product contact

1.4301 (AISI 304)

Surface finish

Product contact

inside

$R_a \leq 0.8 \mu\text{m}$

other surface finishes

on request

No product contact

outside

matt finish

optional

housing as rolled

Seals

Standard

EPDM (FDA)

Operating temperature

135 °C

Sterile temperature

150 °C (1 hour max.)

Optional

FPM (FDA)

HNBR (FDA)

FFPM (on request)

Operating pressure

Standard 5 bar

higher pressures

on request

Control air

Standard 6 bar

min. 4.8, max. 8 bar

due to process data

ECOVENT® valves are available in the following pipe connection sizes and nominal widths:

Metric

Outside diameter acc. to DIN 11850, Row II,

DIN 11866, Row A

Metric: DN 10 to DN 100

Inch OD

Outside diameter following ASME-BPE-a-2004,

DIN 11866, Row C

Inch OD: 1" to 4"

DIN ISO 9001 / EN 29001



ECOVENT® valves meet the regulations

according to 3A, FDA, LMBG 4/94 and EN 93



edelflex
Av. Belgrano 2487 - B1611DVD - Bs. As. - Argentina
Te.: + 54 11 4727 2000 - Fax: + 54 11 4727 2200
www.edelflex.com - e-mail: info@edelflex.com

Process Equipment

GEA Tuchenhagen GmbH

Am Industriepark 2-10, 21514 Büchen, Germany

Phone +49-4155 49-0, Fax +49-4155 49-2423

sales.geatuchenhagen@geagroup.com, www.tuchenhagen.com