

Panther NS3006L



From the world leader in high pressure homogenization: absolute quality and reliability with advanced technical solutions for any process need.

COMPRESSION BLOCK

- Constructed from Super Duplex SS alloy and fitted with wear resistant components to maximise the service life at high operating pressure
- Solid ceramic pumping pistons equipped with specially designed packing for very high pressure applications
- Suction and delivery ball valves (PVB) in special alloy, highly resistant to abrasion, with replaceable valve seats in Stellite™
- Sanitary design analog pressure gauge, with built-in pulsation damper
- Spring loaded overpressure relief valve

HOMOGENIZING VALVE

- Rupture type sharp-edge homogenizing valve in special abrasion and wear resistant material
- Manual pressure adjustment by means of a hand-wheel
- Second homogenizing stage included with flat profile homogenizing valve
- A range of different homogenizing valve types are available for both stages. The selection is dependent on the material that is to be processed

FEEDING SYSTEM

- Stainless steel feed funnel (5 l capacity) with connecting pipework to the feeding pump (inclusive of 10 Mesh filter and Tri-clamp fittings)

- Lobe type pump driven by a separate electric motor with built in variable speed drive unit to adjust the feed pressure according to the product viscosity. All product contact parts are in AISI 316
- By-pass valve for re-circulating the product into the funnel and pressure gauge to read the inlet pressure

POWER END

- Toothed belt drive
- Three phase motor
- Crank drive with splash lubrication

CASING

- Made in polished stainless steel, completely removable for maintenance and cleaning, with galvanized steel base frame
- The machine is mounted on castors for easy handling

CONTROL PANEL

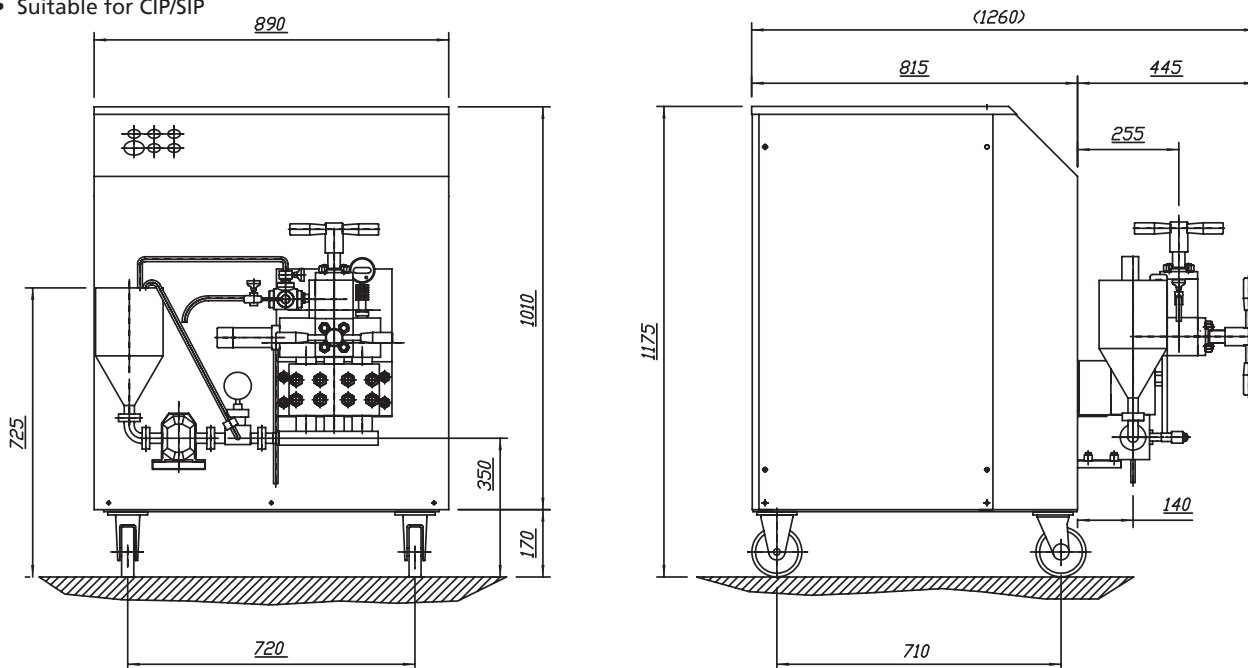
- Electric Power Board in plastic box (IP55 protection) located inside the machine casing. Assembled according to CE standards
- Start/Stop push buttons for homogenizer and feed pump, emergency stop and pump speed adjustment are located on the front panel of the machine

Panther NS3006L

- The NS3006L Panther is a pilot laboratory unit designed for continuous operation up to 1500 bar, suitable for microsizing tests on many different fluids
- The NS3006L Panther's flexibility makes it a useful tool for many different sectors, such as the food, dairy, chemical, pharmaceutical and cosmetic industries.

MAIN FEATURES

- Compact design for easy installation, use and maintenance
- Suitable for viscous pumpable products
- Suitable for pharma applications
- Electropolished version (Ra 0,5 µm) available as option
- 3A execution, FDA approved gaskets, cGMP validation documentation available upon request
- Suitable for CIP/SIP



measure in mm

Technical specifications are not mandatory and subject to change without notice

PERFORMANCES

Pressure (bar)	Max Flow Rate (l/h)
150	-
180	-
200	-
250	-
400	-
600	-
1000	120
1200	120
1500	50

TECHNICAL DATA

Number of plungers	3
Stroke	40 mm
Motor power	5.5 kW
Weight	600 kg
Water consumption	60 l/h
Lubricating oil ISO VG 150	3 l

COMPRESSION HEAD

- Special high grade Super Duplex SS alloy
- Multiblock VHP construction

PUMP VALVES

- Ball type (PVB in Stellite™)

PISTONS

- Solid ceramic

HOMOGENIZING VALVE

- Handwheel actuated
- Wear parts made of tungsten carbide or ceramics
- Standard 2 stage homogenizing valve

PRODUCT LINE CONNECTIONS

- Tri-Clamp™

POWER END

- Rugged cast iron power frame
- Splash lubrication
- Polished SS machine casing on galvanized steel frame

FEEDING SYSTEM

- Built in lobe type pump with variable speed drive
- Bypass valve and pipe-work with 5L funnel in stainless steel for re-circulation of the product
- Inlet pressure gauge

ELECTRIC FEATURES

- Electric Power Board in plastic box (IP55 protection) placed inside the machine casing and control panel on the machine front panel

COMPANY
WITH QUALITY SYSTEM
CERTIFIED BY DNV
= ISO 9001/2000 =

edelflex

Av. Belgrano 2487 - B1611DVD - Bs. As. - Argentina
Te.: + 54 11 4727 2000 - Fax: + 54 11 4727 2200
www.edelflex.com - e-mail: info@edelflex.com

Via A. M. Da Erba Edoari, 29 - I - 43100 PARMA ITALY
Tel. +39 0521.965411 - Fax +39 0521.242819
www.niro-soavi.com

GEA Niro Soavi S.p.A.