



From the world leader in high pressure homogenization: absolute quality and reliability with advanced technical solutions for any process need.



LIQUID END

Engineered with a reduced number of parts for simplified use and maintenance, features a Monoblock construction compression head made of high performance Duplex forged SS alloy, machined with CNC tooling for the highest quality standards. Parts design and surface finish guarantee a safe sanitary execution for optimized cleaning-in-place of wetted parts.

HOMOGENIZING VALVE

Accurate homogenizing pressure adjustment through pneumatically controlled valve, also available in double stage configuration for process requirements. Easily replaceable wear parts in solid tungsten carbide for extended operation.

POWER END

Heavy duty construction power drive, with forged steel alloy crankshaft assembled into a cast iron crankcase housing the power end components, with splash lubrication.

CASING

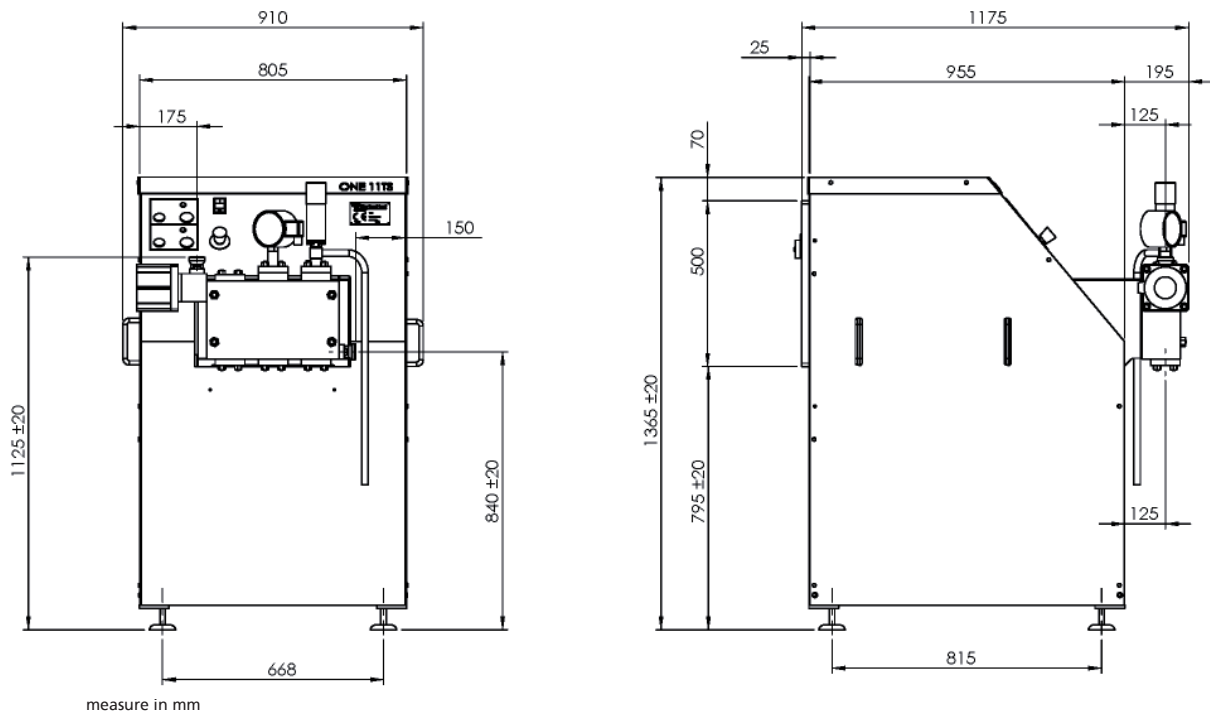
Complete stainless steel casing with removable panels, enclosing motor and direct belt drive transmission. The casing includes a stainless steel terminal box/electrical panel directly accessible from the outside.

TOOLS AND SPARE PARTS

O&M manual and spare parts List on CD-ROM. The standard supply includes maintenance tools and a set of emergency spare parts.

One 15TS

- Designed according to the EU safety rules (CE standards), engineered, manufactured and tested according to EN ISO 9001:2000 Quality Standard
- Available in a range of capacities for operating pressure up to 250 bar
- Simple construction and reduced number of parts, for easy maintenance and cost effective operation
- Energy efficient solutions and reduced consumptions, for optimized running costs
- Easy implementation in complete process lines
- Specific configuration for defined application range in Dairy & Food, including milk and dairy by-products (pasteurized milk, flavoured milk, milk-based drinks, yoghurt drinks, milk for cheese, ice cream mixes), beverages, fruit juices, soy milk



Technical specifications are not mandatory and subject to change without notice

PERFORMANCE

| Pressione (bar) | Portata massima (l/h) |
|-----------------|-----------------------|
| 100 | 4500 |
| 130 | 3400 |
| 150 | 3000 |
| 180 | 2500 |
| 200 | 2000 |
| 210 | 2100 |
| 250 | 1800 |

TECHNICAL DATA

| | |
|----------------------------|--------|
| Number of plungers | 3 |
| Stroke | 70 mm |
| Absorbed motor power up to | 15 kW |
| Weight | 700 kg |
| Water consumption | 90 l/h |
| Lubricating oil ISO VG 150 | 9 l |

COMPRESSION HEAD

- Special forged high grade Duplex SS alloy
- Monoblock construction, rear packing access

PUMP VALVES

- SS alloy removable and reversible valve seats
- Ball type (PVB) pumping valves in SS alloy

PLUNGERS

- Chrome coated stainless steel
- Self centering clamped connection

HOMOGENIZING VALVE

- Pneumatic actuated
- Wear parts made of solid Tungsten Carbide

PRESSURE GAUGE

- Sanitary design analog high pressure gauge

PRODUCT LINE CONNECTIONS

- DIN 11851 fittings
- Tri-Clamp™ fittings

POWER END

- Rugged cast iron power frame
- Forged special alloy steel crankshaft on roller bearings
- Splash lubrication
- Direct belt drive

CASING

- Polished SS machine casing on galvanized steel frame

MAIN OPTIONS

- 2nd stage homogenizing valve
- Electric power board for fixed capacity inside the machine casing

COMPANY
WITH QUALITY SYSTEM
CERTIFIED BY DNV
ISO 9001/2000

edelflex

Av. Belgrano 2487 - B1611DVD - Bs. As. - Argentina
Te.: + 54 11 4727 2000 - Fax: + 54 11 4727 2200
www.edelflex.com - e-mail: info@edelflex.com

Via A. M. Da Erba Edoari, 29 - I - 43100 PARMA ITALY
Tel. +39 0521.965411 - Fax +39 0521.242819
www.niro-soavi.com

GEA Niro Soavi S.p.A.