

# J-Pure Series

CRN Registration Number Available

## High Purity Bio-Pharma Gas Pressure Reducing Valves

J-Pure is the first high purity gas pressure regulator designed and built specifically for hygienic, ASME BPE gas applications.

Traditionally, manufacturers adapted their industrial gas regulators for use in biopharm by simply changing the construction materials and surface finish. Not so with J-Pure. It's been designed specifically to eliminate the exposed threaded connections and permanent contaminant traps below the diaphragm. And, it features an in-line removable trim set to facilitate quick trim change out and cleaning without valve removal or disassembly.

The durable valve body and metal trim components are machined from ASTM A479 316L SST barstock and finished to ASME BPE SF5 (20Ra micro-inch, electropolished) standard. The valve is outfitted with the rugged Jorlon diaphragm and Teflon or PEEK seats and seals that are all FDA approved, USP Class VI compliant materials. These materials of construction enable J-Pure to withstand the rigors of SIP and CIP processes if required.

### FEATURES

- No exposed threaded connections below diaphragm
- In-line removable seat and trim facilitate cleaning and maintenance
- Barstock construction guarantees material integrity and surface finish
- High flow rate coupled with high rangeability reduces need for reduced trim sizes
- Minimized internal volume
- Proprietary Jorlon diaphragm material provides exceptionally long life and CIP/SIP capability
- Soft seat material for ANSI Class VI shutoff

### DOCUMENTATION

The following documentation is shipped with each order:

- Steriflow Unicert
  - Traceable Material Heat Number for body and ferrules
  - Certificate of Compliance to FDA and USP Class VI

Certificate of Surface Finish

- Final Test Reports and Certificate of Origin available upon request at time of order



### SURFACE FINISH

- ASME BPE 2007 SF5 (20 Ra micro inch, electropolished) – standard for all external and wetted metal parts
- Other finishes optional
- O<sub>2</sub> cleaning - optional

### APPLICATIONS

Ideal for clean gases typically found in biopharmaceutical, pharmaceutical and food & beverage processes including:

- Clean Filter Air
- Nitrogen
- Carbon Dioxide
- Argon
- Oxygen
- Custom purge or blanket gas

## SPECIFICATIONS

**Sizes:** 1/2" (DN15) & 3/4" (DN20)

**Ends:** Clamp, Weld-stub or NPT ends

**Soft Seat Materials for ANSI Class VI Shut-Off:**

- PTFE to +150°F (+65,6°C) FDA, USP Class VI
- PEEK to +350°F (176,7°C) FDA, USP Class VI

**Body Material:** 316L SST

**Diaphragm Material:** PTFE-based Jorlon FDA, USP Class VI

**Maximum Inlet Pressure:** 150 psig (10,5 bar)

**Spring Ranges:** 5–70 psi (0,3–4,8 bar); 50–125 psi (3,4–8,6 bar)

**Flow Characteristics:**

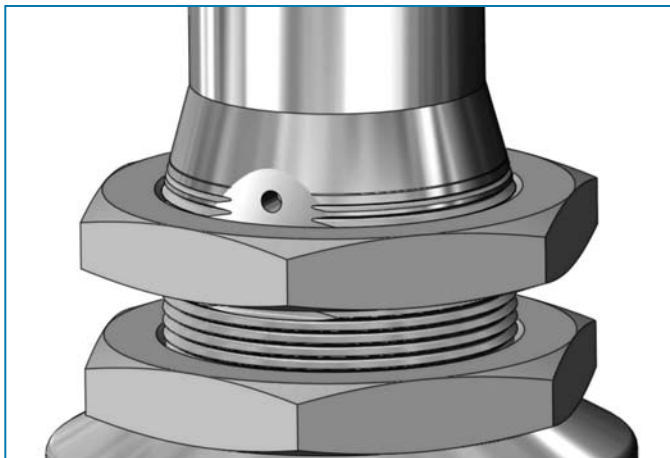
- High Flow: Trim Cv 0.8; Cv for relief valve sizing is 1.9
- Low Flow: Trim Cv 0.5; Cv for relief valve sizing is 0.6

**Mechanical Polish:** to 20Ra (0,5 um)

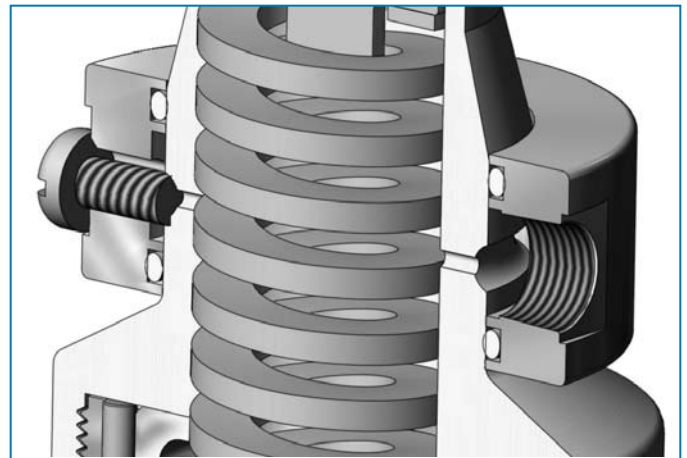
**Options:**

- Panel Mounting
- Captured Vent
- Self Relieving

## OPTIONS



**Panel Mount Option**



**Captured Vent Option (1/8" NPT)**

## OPTION DEFINITION

### Captured Vent

The captured vent design is for maximum safety for the user when handling toxic or hazardous media. It features a 1/8" FNPT port located on the spring housing. The user can easily tube this vent to a safe location. This option can be incorporated into a self-relieving regulator that provides an additional port to permit the safe expulsion of hazardous media.

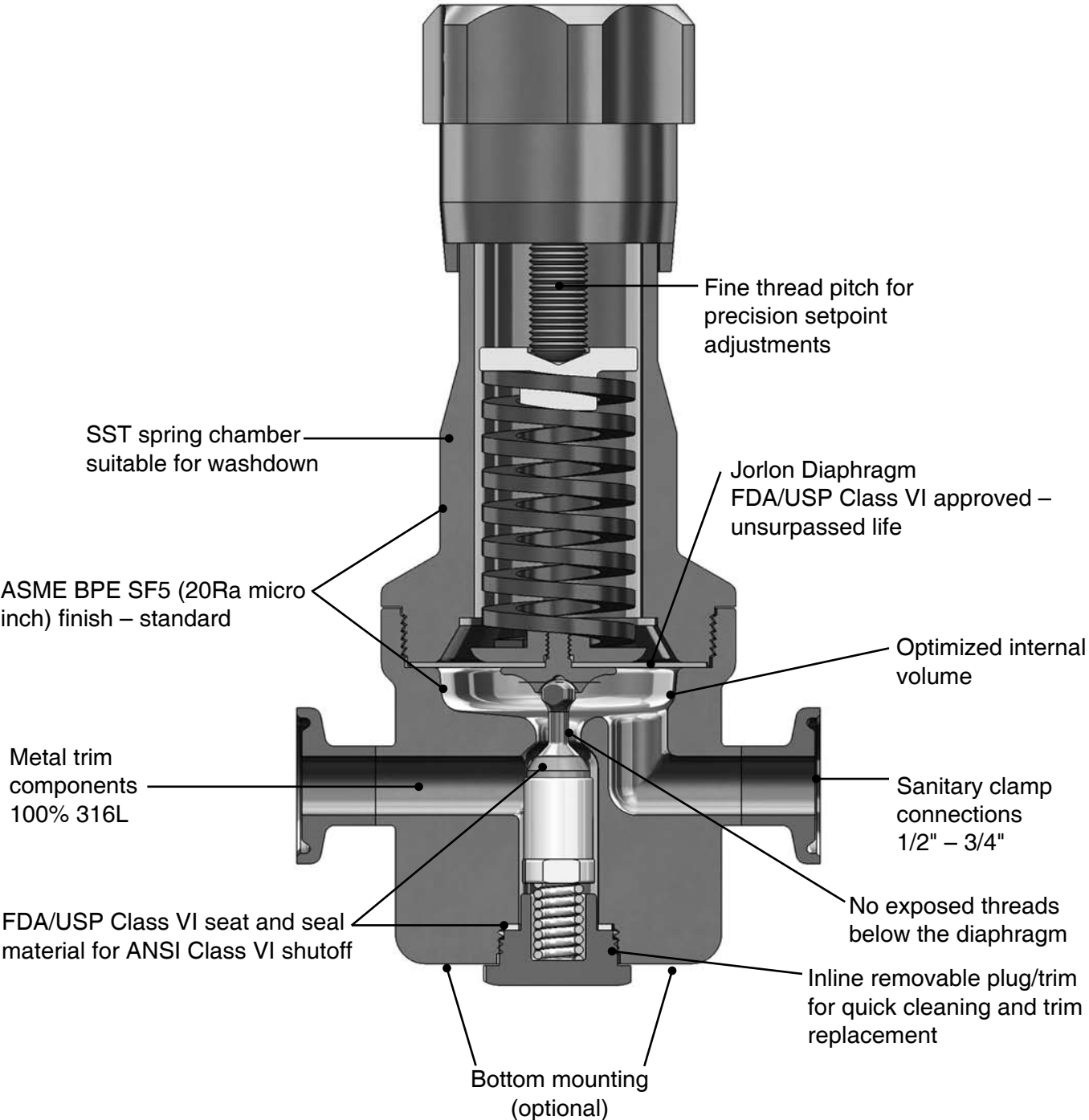
### Panel Mount

The panel mount feature requires a panel cut out of 1-1/2", complete with a threaded spring housing, and a panel mount ring to secure the regulator.

### \*Self Relieving

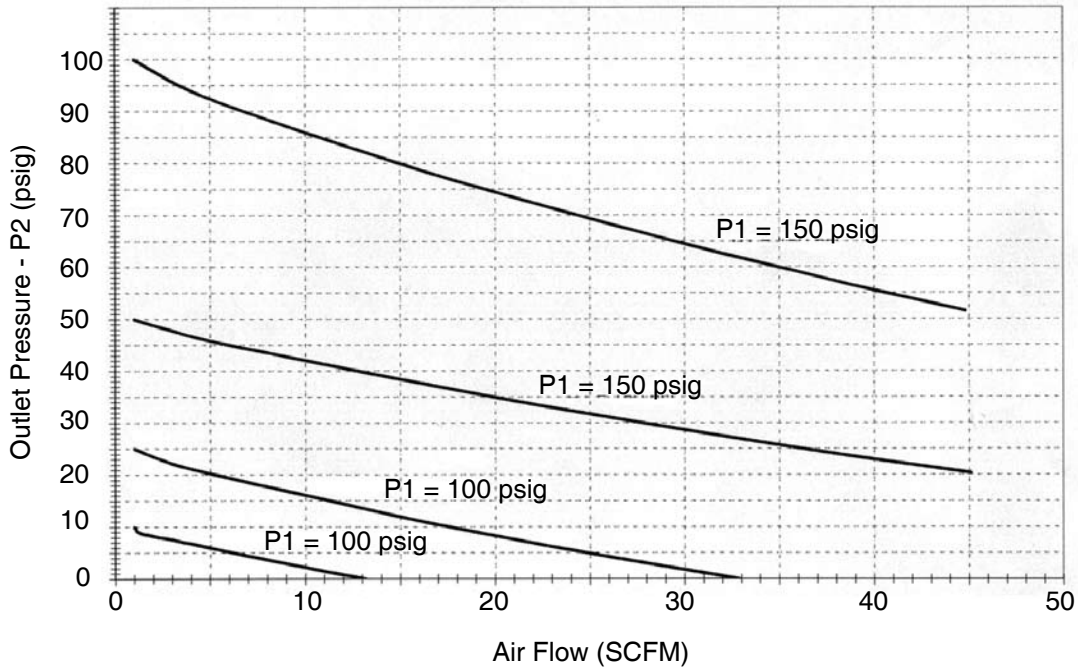
The self relieving option is used for internal venting of downstream pressure. From a practical standpoint, it allows for immediate reduction in pressure setpoints and automatically alleviates regulator lock up. (Recommended with outlet gauges)

FEATURES & BENEFITS

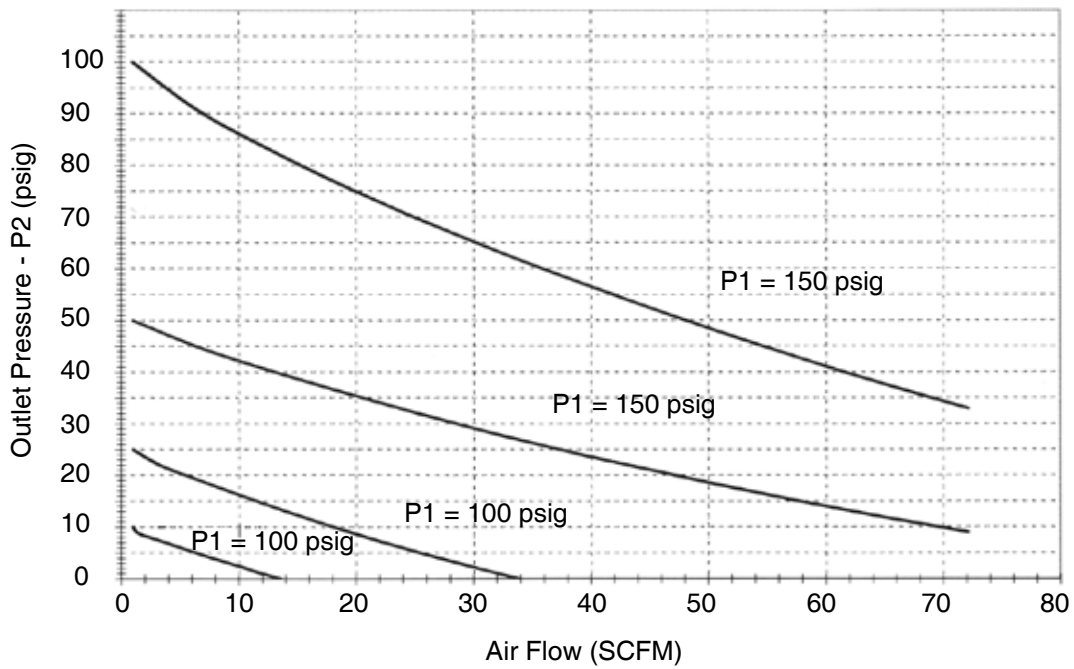


### TRIM FLOW GRAPHS

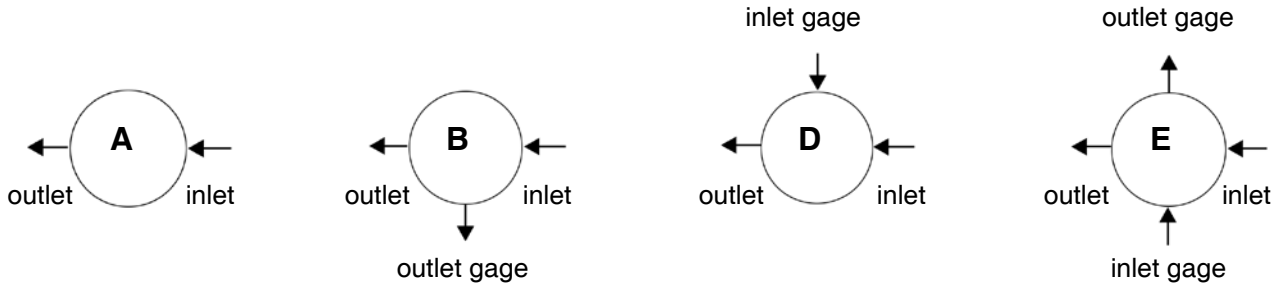
#### J PERFORMANCE 0.5 Cv



#### J PERFORMANCE 0.8 Cv

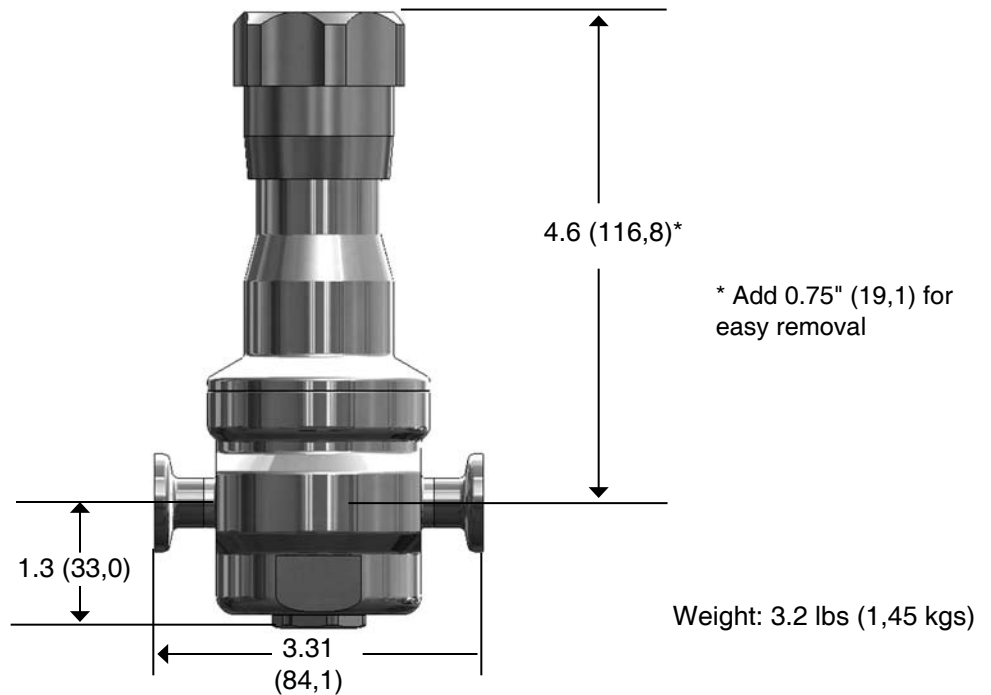


### FLOW CONFIGURATIONS



\* Gage ports are 1/4" FNPT (consult factory for required alternative)

### DIMENSIONS, IN. (MM)



### SAMPLE SPECIFICATIONS

Stainless Steel pressure regulator shall be made from ASTM A479 barstock material, which includes body and all wetted metal parts. Regulator shall be activated by an un-tied, FDA approved, USP Class VI certified Jorlon diaphragm. Regulator shall be free of exposed threads within wetted process area and valve internal to hold minimal media volume. Regulator shall have trim that can be replaced inline without dome/spring chamber disassembly.

## J-PURE SERIES HIGH PURITY BIO-PHARMA GAS PRESSURE REDUCING VALVE

## ORDERING SCHEMATIC

Model	Size	Material	1 & 2	3 & 4	5 & 6	7 & 8	9 & 10	11 & 12	13 & 14	15	16	17
JSR	50	6L	/									

Model	
JSR	High Purity Gas Pressure Reducing Valve

Size	
050	1/2"
075	3/4"

Material	
6L	Stainless Steel 316L

1 & 2	Body Feature		
End Connection		Port Configuration	
C	Tri-Clamp 20 Ra EP	A	Port "A"
P	FNPT 20 Ra EP	B	Port "B"
T	BWE 20 Ra EP	D	Port "D"
		E	Port "E"
ZZ	Non-Standard		

3 & 4	Trim
1S	0.8 Cv
2S	0.5 Cv
1R	CV 0.8 Self-Relieving
2R	Cv 0.5 Self-Relieving
ZZ	Non-Standard

5 & 6	Seat Material
TF	PTFE
PK	Peek
ZZ	Non-Standard

7 & 8	Range Spring/Outlet Pressure
05	5 - 70 PSI
50	50 - 125 PSI
ZZ	Non-Standard

9 & 10	Diaphragm Material
JL	Jorlon
ZZ	Non-Standard

11 & 12	Actuator
SK	Standard Actuator
PM	Panel Mount
CV	Captured Vent
TP	Tamper Proof
ZZ	Non-Standard

13 & 14	Inlet Gauge*
ØB	0 - 30 PSIG/Bar (Dual)
ØC	0 - 60 PSIG/Bar (Dual)
ØD	0 - 100 PSIG/Bar (Dual)
ØE	0 - 160 PSIG/Bar (Dual)
ØF	0 - 200 PSIG/Bar (Dual)
ØN	None
ZZ	Non-Standard

\* If special cleaning or MTR's for all wet parts is required, consult factory for option.

15	Outlet Gauge*
B	0 - 30 PSIG/Bar (Dual)
C	0 - 60 PSIG/Bar (Dual)
D	0 - 100 PSIG/Bar (Dual)
E	0-160 PSIG/Bar (Dual)
N	None
ZZ	Non-Standard

\* If special cleaning or MTR's for all wet parts is required, consult factory for option.

16	SEP Compliance
O	None Required
G	SEP Compliant
Z	Non-Standard

17	Accessories
O	None Required
S	Clean For Oil Free*
X	Clean for Oxygen*
Z	Non-Standard

\* Consult factory for Gauge Option



Steriflow Valve reserves the right to make revisions to its product, specifications, literature and related information without notice. Please visit our website at [www.steriflowvalve.com](http://www.steriflowvalve.com) for the latest information on our products.

## Steriflow, a division of Jordan Valve

3170 Wasson Road • Cincinnati, OH 45209  
513.533.5600 • 800.543.7311 • 513.871.0105 (f)  
[steriflow@richardsind.com](mailto:steriflow@richardsind.com) • [www.steriflowvalve.com](http://www.steriflowvalve.com)



Av. Belgrano 2487 - B1611DVD - Bs. As. - Argentina  
Te.: + 54 11 4727 2000 - Fax: + 54 11 4727 2200  
[www.edelflex.com](http://www.edelflex.com) - e-mail: [info@edelflex.com](mailto:info@edelflex.com)